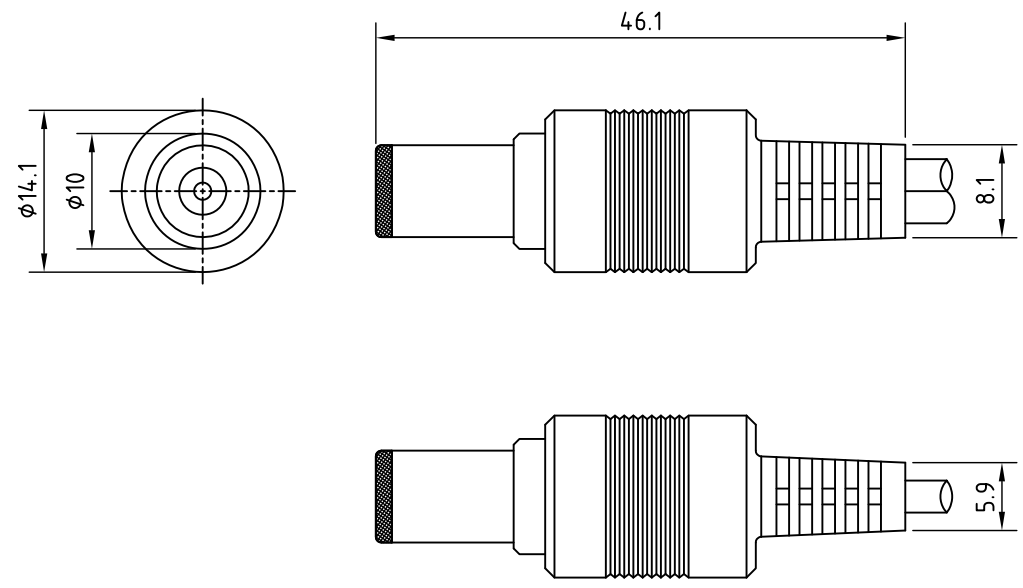


REV.	Description	Date
	upgrade drawing	2016/10/7
1	part no. revise	2016/10/27



available connector	
OD	ID
8	1.5

RoHS
TOLERANCE X±0.5 X.X±0.3



Unicable Co., Ltd. 國陽電業有限公司
5F., No. 111-33, Sec. 4, San Ho Road, San Chung City, Taiwan, R.O.C.
<http://www.unicable.com.tw> TEL:+886-2-2286-2122 FAX:+886-2-2286-1010

DATE	2016/10/27	PART NO.	UT-P059
DWN	GINA	REV.	1
CHK			
UNIT	MM		

ITEM	Molded Cable
------	--------------